



## MP-470, MP-480 and MP-490

The MP-470, MP-480 and MP-490 are 4 cylinder, naturally aspirated, diesel engines with hydraulic gearboxes, developing max hp at 2,500 rpm (Recreational Craft Directive emission compliant).

The engine is supplied complete with a heat exchanger and header tank, water cooled exhaust manifold, fresh and sea water pumps, stainless injection bend, mechanical fuel lift pump, fuel and oil filters, heavy weight flywheel for smooth running at low rpm, flywheel housing, 12 volt starter and 50 amp battery charging alternator, shutdown solenoid, deluxe control panel with key start switch and push button stop, Rev counter, temp gauge, oil pressure gauge, warning lights and alarm buzzer for low readings. It comes complete with 'easi-plug' fitting to the engine harness on a 5M loom.

Hydraulic gearbox with choice of reduction ratio, heavy duty engine feet with flexible mountings, 'Morse' type end fittings for speed and gear control, engine test certificate, and operator's manual. Packed on pallet with a 1 year warranty.

### Standard features

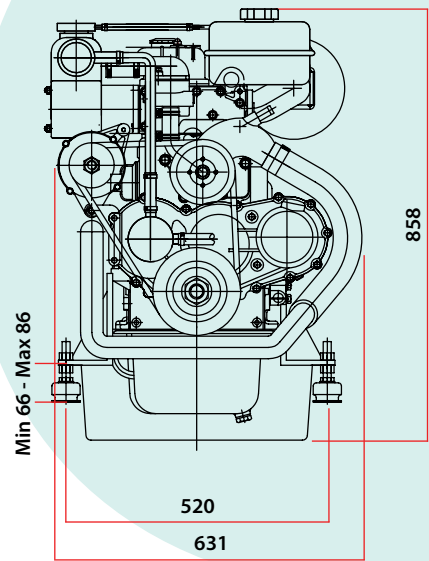
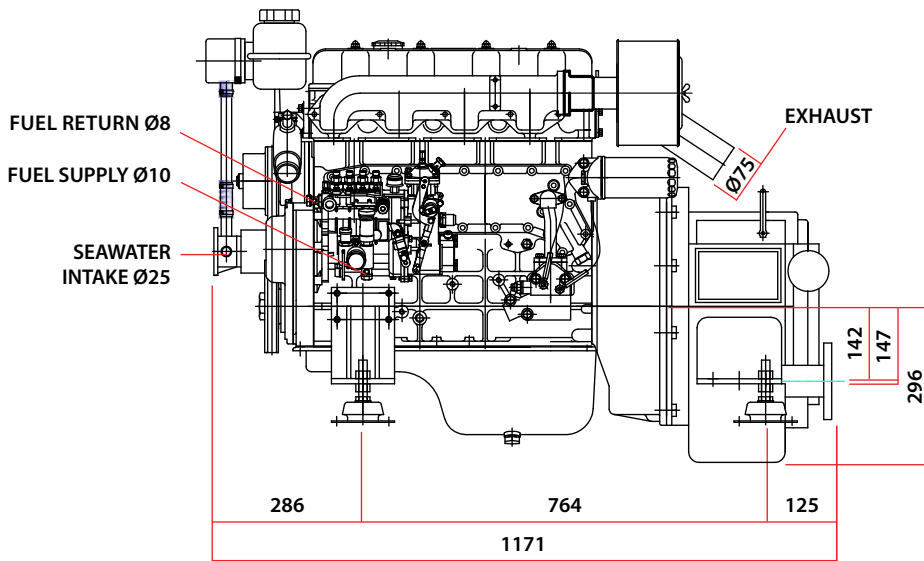
- Quality engines design for the harsh marine environment
- Reliable heat exchanger cooled, naturally aspirated, indirect injection diesel engine
- Designed for both leisure and commercial applications
- Cast iron cylinder head and block
- Excellent fuel consumption
- Hydraulic gearbox
- Spare filters and belt
- Flexible engine mounts
- CE and RCD compliant

Model	MP-470	MP-480	MP-490
Type	Vertical, water cooling, 4 stroke with a direct-injection combustion chamber		
No. of cylinders	4		
Displacement	3.857	4.085	4.322
Rated Power	70hp (52kw)	80hp(59kw)	90hp (66kw)
Rated RPM	2,500		
Max Torque (Nm)	226	256	286
Rated RPM	1,700		
Exhaust system	Water cooling		
Lubrication method	Pressure and splash		
Fuel	Diesel		
Gearbox type	Hydraulic		
Ratio	2:1, 2.5:1 or 3:1		
Net weight (kg)	560		





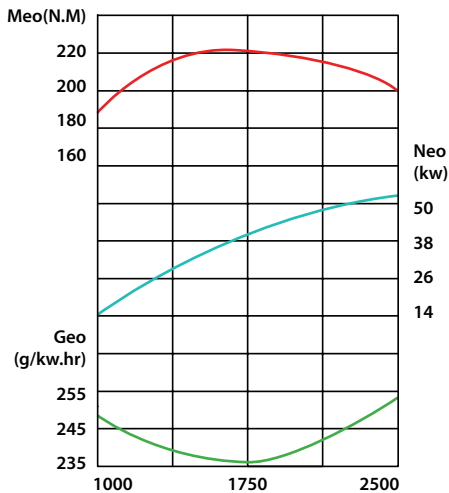
## MP-470, MP-480 and MP-490 technical specifications



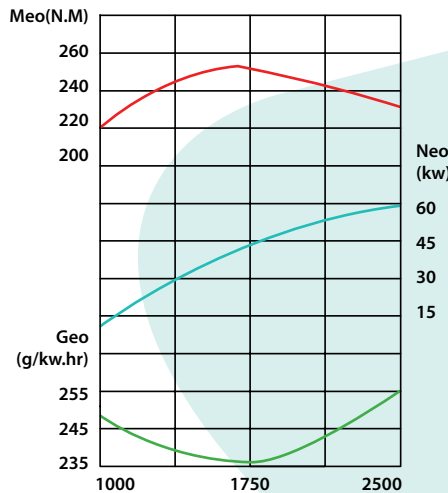
### MP-470

### MP-480

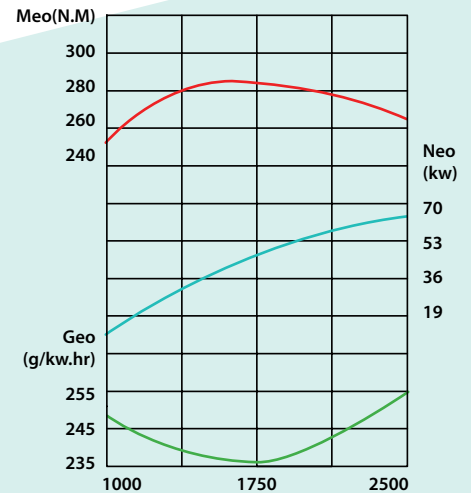
### MP-490



Full speed and full load characteristics



Full speed and full load characteristics



Full speed and full load characteristics