



MP-321

MP-321 is a 3 cylinder, naturally aspirated, diesel engine developing max hp at 3,000 rpm (Recreational Craft Directive emission compliant).


The engine is supplied complete with a heat exchanger and header tank, water cooled exhaust manifold, fresh and sea water pumps, stainless injection bend, mechanical fuel lift pump, fuel and oil filters, heavy weight flywheel for smooth running at low rpm, flywheel housing, 12 volt starter and 50 amp battery charging alternator, shutdown solenoid, control panel with key start switch, Rev counter with engine hour meter, temp light, oil pressure light and alarm buzzer for low readings. It comes complete with 'easi-plug' fitting to the engine harness on a 5M loom.

Gearbox with nominal 2:1 reduction, heavy duty engine feet with flexible mountings, 'Morse' type end fittings for speed and gear control and operator's manual. Packed on pallet with a 1 year warranty.

Standard features

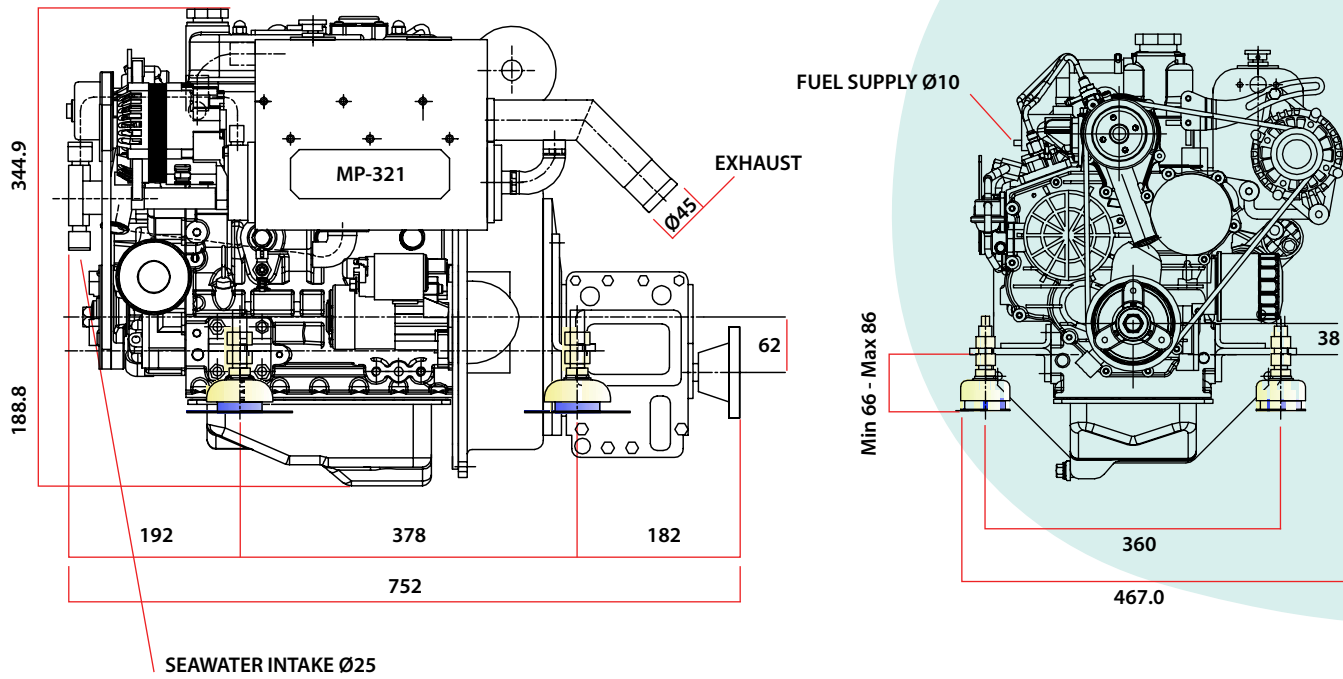
- Quality engines design for the harsh marine environment
- Reliable heat exchanger cooled, naturally aspirated, indirect injection diesel engine
- Designed for both leisure and commercial applications
- Cast iron cylinder head and block
- Excellent fuel consumption
- Spare filters and belt
- Flexible engine mounts
- Baysan Marine gearboxes. Output rotation is clockwise in ahead viewed from gearbox end
- CE and RCD compliant

Model	MP-321
Type	Vertical, water cooling, 4 stroke with a swirl combustion chamber
No. of cylinders	3
Displacement	1.123
Rated Power	21hp (15.4kw)
Rated RPM	3,000
Max Torque (Nm)	56
Rated RPM	1,820
Exhaust system	Water cooling
Lubrication method	Pressure and splash
Fuel	Diesel
Gearbox type	Mechanical
Ratio	2:1
Net weight (kg)	134

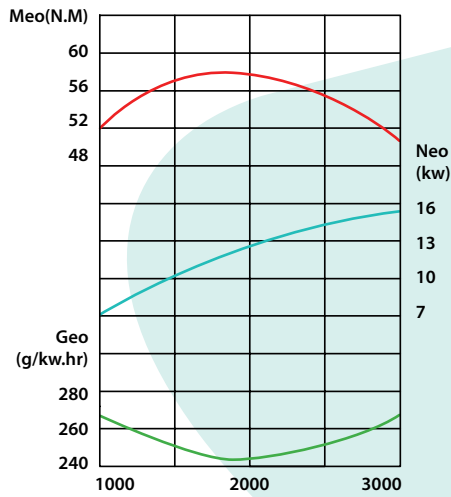




MP-321 technical specifications



MP-321



Full speed and full load characteristics