

MP-208 and 210

MP-208 and MP-210 are 2 cylinder, naturally aspirated, diesel engine developing max hp at 3,000 rpm (Recreational Craft Directive emission compliant).

The engine is supplied complete with a heat exchanger and header tank, water cooled exhaust manifold, fresh and sea water pumps, stainless injection bend, mechanical fuel lift pump, fuel and oil filters, heavy weight flywheel for smooth running at low rpm, flywheel housing, 12 volt starter and 50 amp battery charging alternator, shutdown solenoid, control panel with key start switch, Rev counter with temp light, oil pressure light and alarm buzzer for low readings. It comes complete with 'easi-plug' fitting to the engine harness on a 5M loom.

Gearbox with nominal 2:1 reduction, heavy duty engine feet with flexible mountings, 'Morse' type fittings for speed and gear control and operator's manual. Packed on pallet with a 1 year warranty.

Standard features

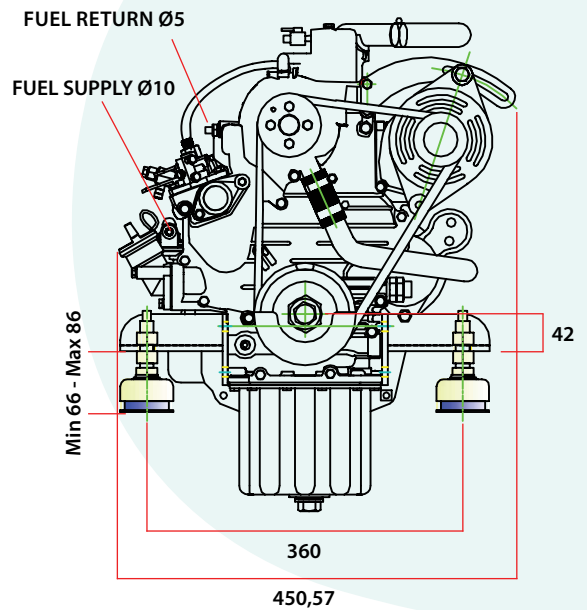
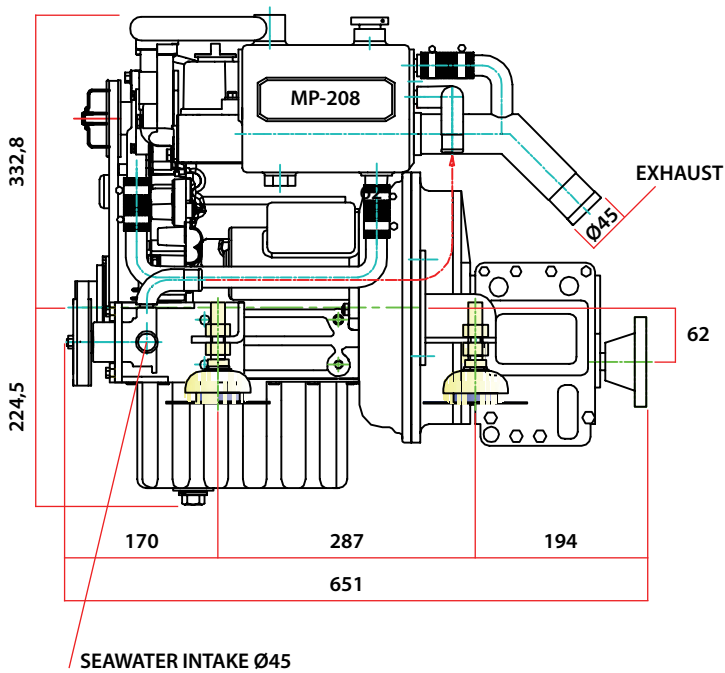
- Quality engines designed for the harsh marine environment
- Reliable heat exchanger cooled, naturally aspirated, indirect injection diesel engine
- Designed for both leisure and commercial applications
- Cast iron cylinder head and block
- Excellent fuel consumption
- Spare filters and belt
- Flexible engine mounts
- Baysan Marine gearboxes. Output rotation is clockwise in ahead viewed from gearbox end
- CE and RCD compliant

Model	MP-208	MP-210
Type	Vertical, water cooling, 4 stroke with swirl combustion chamber	
No. of cylinders	2	
Displacement	0.479	0.553
Rated Power	8hp (5.88kw)	10hp (7.3kw)
Rated RPM	3,000	
Max Torque (Nm)	21.8	25.4
Rated RPM	1,820	
Exhaust system	Water cooling	
Lubrication method	Pressure and splash	
Fuel	Diesel	
Gearbox type	Mechanical	
Ratio	2:1 or 2.5:1	
Net weight (kg)	104	

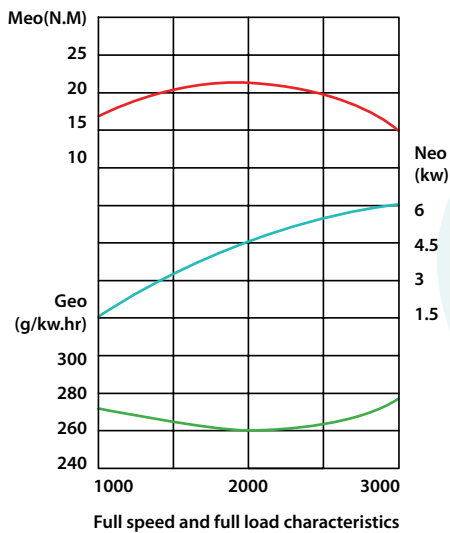




MP-208 and MP-210 technical specifications



MP-208



MP-210

